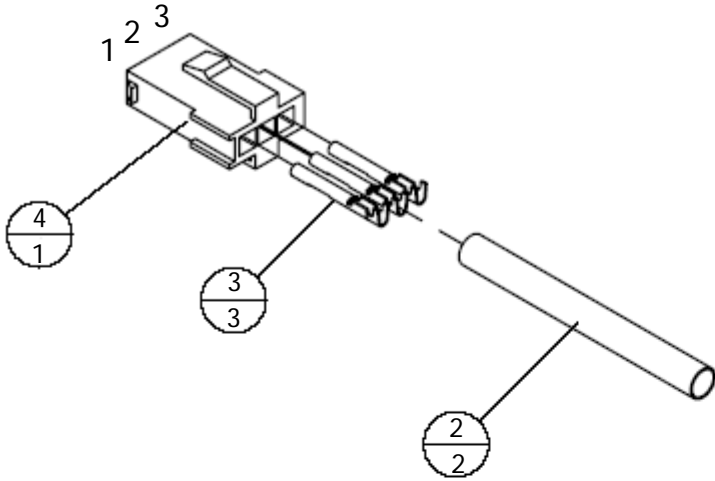


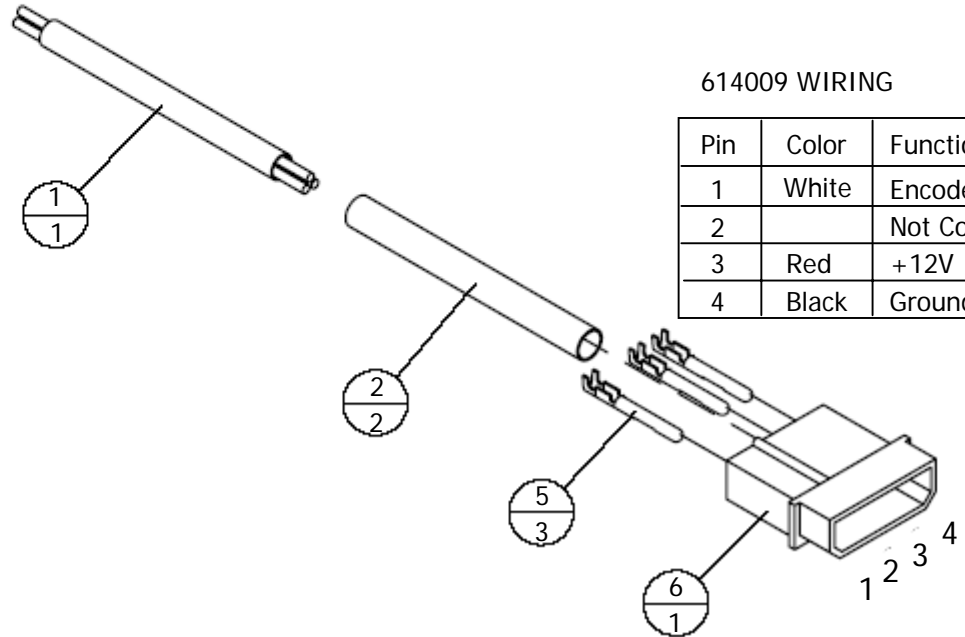
614003 WIRING

Pin	Color	Function
1	White	Cycle
2	Red	+12V
3	Black	Ground



Item	Part No.	Qty.	Description
1	606013	1	Cable, #22-3 Unshielded (12" Long)
2	609000	2	Shrink Wrap, 3/16" I.D. (1" Long)
3	614002	3	Female Contact, Socket
4	614003	1	Cap, Receptacle
5	614008	3	Contact, Male, 24-18 AWG, Mate-n-lok
6	614009	1	Connector, 4-Pin, Male, Mate-n-lok

Part No. 9102120A (Tracking Board Cycle Adapter Cable)



614009 WIRING

Pin	Color	Function
1	White	Encoder+
2		Not Connected
3	Red	+12V
4	Black	Ground